



# FERROX PLUS 3585P, 3585W, 3565P INOX PLUS 3615P, 3615R, 3615F, 3615FT, 3615W, 3595P, 3595F

## Compression sprayers

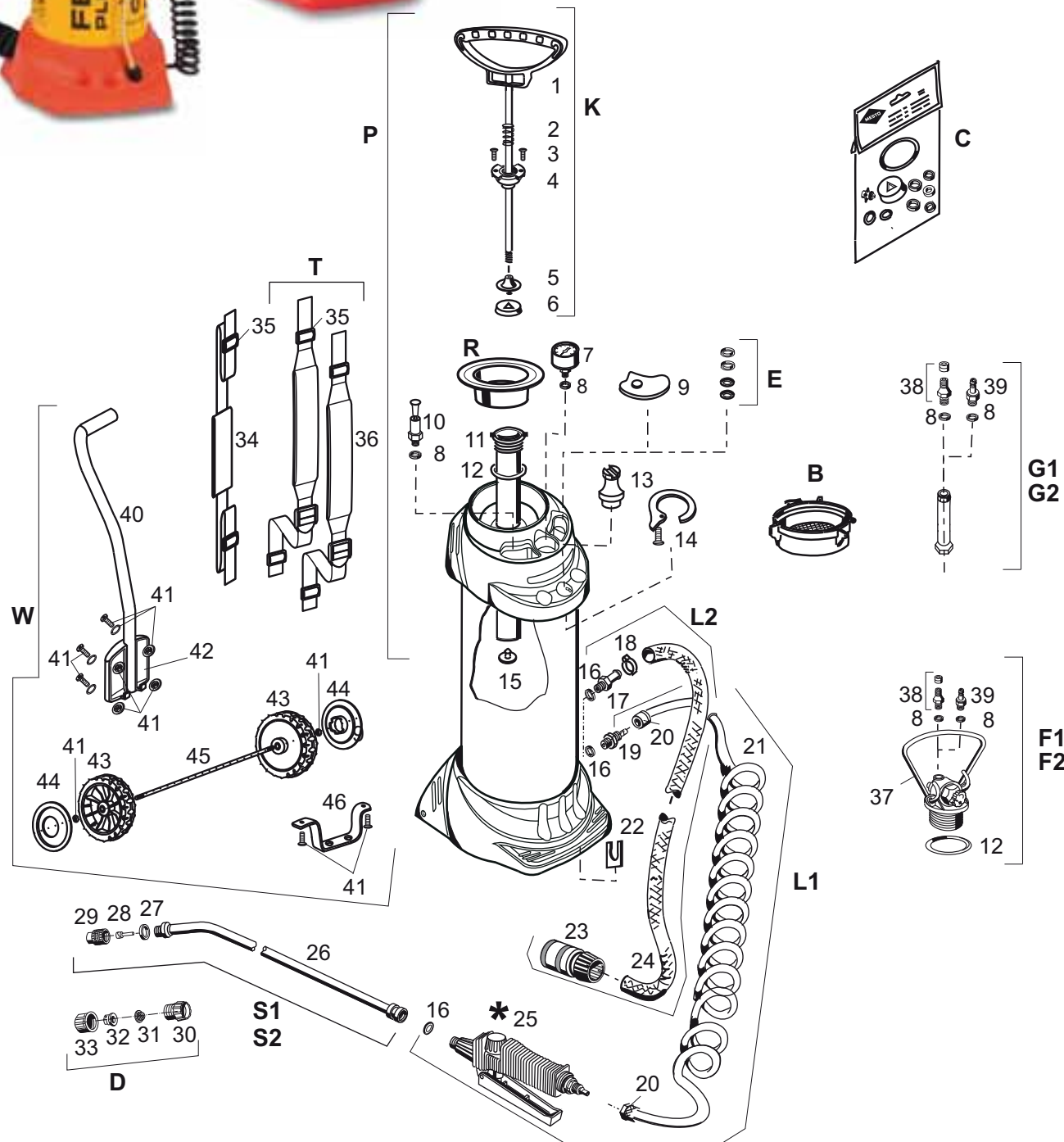


Fig.-No.	Ref.-No.	Description
B	6122	Filling strainer
C	6001L	Service kit, FPM O-rings, containing parts 1
D	1421F	Flat spray nozzle 80-01E with filter fine
E	6001CN	Bag with spare parts
F1	6210NA	Air filler valve with pressure reducer 6 bar (automotive tire valve)
F2	6210NB	Air filler valve with pressure reducer 6 bar (quick snap coupling)
G1	6222NA	Pressure control valve (automotive tire valve)
G2	6222NB	Pressure control valve (quick snap coupling D7,2)
K	6229NK	Piston rod assy.
L1	6321NL	Discharge equipment with shut-off valve 1348LN FPM
L2	6300NW	Pressure line 2.5 m compl. (water tank), with water stop 1/2"
P	6233W	Air pump, brass, FPM seals
R	6247N	Funnel cover
S1	3655	Spray wand with flat spray nozzle 1421F
S2	3658	Spray wand 50 cm with nozzle 1302
T	7121M	Pair of carrying straps, cpl.
W	3965	Transport cart
1	6229N	Piston rod with handle
2	4210	Bumper spring
3	6243E	Screw D3,5 x 16 mm, stainless steel
4	6230	Cylinder cap
5	6212	Piston 38 mm
6	6208	Piston washer 38 mm
7	6701	Pressure gauge 6 bar
8	1205	Gasket D14 x D9,7 x 2 mm
9	6119K	Lid for spare part box
10	6703K	Safety valve 6 bar
11	6256N	Cylinder tube
12	6225L	O-ring D47 x 5,33 mm, FPM
13	6503HW	Holding nipple
14	6503	Pump holder
15	6241L	Valve disc with stud, FPM
16	1206L	O-Ring D10 x 3 mm, FPM
17	6301B	Hose coupling M 10
18	1601	Hose clamp
19	6341	Coupling M 10 (spiral hose)
20	6340K	Cap nut
21	6322PP	Spiral hose 2,5 m (PUR) with two cap nuts
21	6323P	Spiral hose 5 m (PUR)
22	6522S	Snap-in locking
23	6365G	Water stop 1/2"
24	1364W	Hose PVC D12 mm x 2,5 m
25	1348LN	Shut-off valve (spiral hose) FPM
26	3650	Spray wand 50 cm without nozzle
27	1360	Gasket D15 x D11 x 2 mm
28	1301	Swirl core, fine
29	1302	Nozzle, orifice, 1,1 mm
30	1351	Nozzle body male 18 x 1,5 / female 11 x 1
31	1484	Filter fine, 100 mesh
32	1421T	Nozzle tip, flat spray 80-01E
33	1613	Cap nut 18 x 1,5
34	6124	Carrying strap with buckles
35	1502S	Buckle 30 mm width
36	1100	Carrying strap
37	6501	Carrying handle
38	6260	Tire valve
39	6261	Quick snap adapter with check
40	3965E	Holding rod
41	6603	Kit of parts transport trolley
42	6502B	Holding rod attachment
43	6152N	Wheel
44	6151B	Hubcap
45	6501BA	Axis for transport trolley
46	6501BS	Stand

\* = Spare parts details on page „Shut-off valves (big, reinforced plastic)“ and „Shut-off valve with pressure regulator“



1344, 1344L, 1344G, 1348,  
1348L, 1348LN, 1348LS

1344, 1344L, 1344G, 1348,  
1348L, 1348LN, 1348LS

## Shut-off valves (big, reinforced plastic)

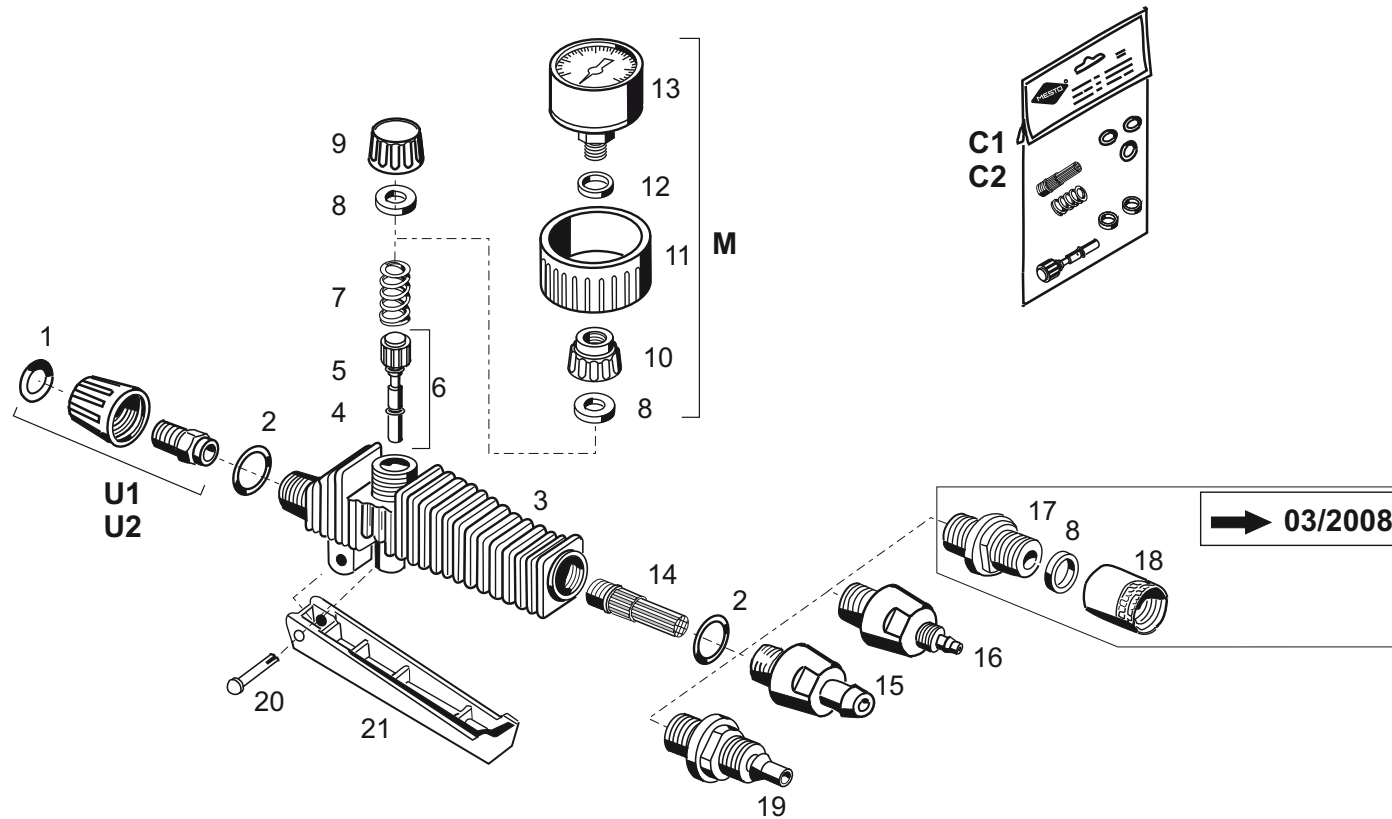


Fig.-No.	Ref.-No.	Description
C1	1004	Service kit 1344, 1348, NBR, containing parts 3
C2	1004L	Service kit 1344, 1348, FPM, containing parts 4
M	7702	Pressure gauge 6 bar shock protected
U1	1352	Adapter, cpl. female 18 x 1.5 / male 11 x 1
U2	1352L	Adapter, FPM female 18 x 1.5 / male 11 x 1
1	1206 <sub>3</sub>	O-ring D10 x 3 mm, NBR
1	1206L <sub>4</sub>	O-Ring D10 x 3 mm, FPM
1	1206E	O-Ring D10 x 3 mm, EPDM
2	6240 <sub>3</sub>	O-ring D17 x 2.5 mm, NBR
2	6240L <sub>4</sub>	O-ring D17 x 2.5 mm, FPM
3	1335	Valve body
4	1386	O-ring D4, 42 x 2.62 mm, NBR
4	1386L	O-ring D4, 42 x 2.62 mm, FPM
4	1386E	O-ring D4, 42 x 2.62 mm, EPDM
5	1387	O-ring D3 x 1.5 mm, NBR
5	1387L	O-Ring D3 x 1.5 mm, FPM
5	1387E	O-Ring D3 x 1.5 mm, EPDM
6	1354 <sub>3</sub>	Valve piston with O-rings, NBR
6	1354L <sub>4</sub>	Valve piston with O-rings, FPM
6	1354E	Valve piston with O-rings, EPDM
7	1382 <sub>3,4</sub>	Spring
7	1382T <sub>3,4</sub>	Spring coated
8	1361	Gasket D17 x D8 x 2.3 mm
9	1381	Screw cap
10	1156	Reducer
11	1711	Protective cup
12	1205	Gasket D14 x D9.7 x 2 mm
13	6701	Pressure gauge 6 bar
14	1373 <sub>3,4</sub>	Filter
15	1162	Sight glass with hosetail D10 mm
16	1162S	Hosetail, spiral hose, with viewing glass
17	1338A	Nipple M 18 x 1.5 double male
17	1338L	Nipple M 18 x 1.5 double male, FPM
18	1405	Socket M 18 x R 1/4"
19	1338	Hosetail D8 mm PP
20	1369	Swivel pin
21	1336	Trigger



# DOSICONTROL 1349G, 1349L 1384G, 1384L 1388G, 1388L

## Shut-off valve with pressure regulator

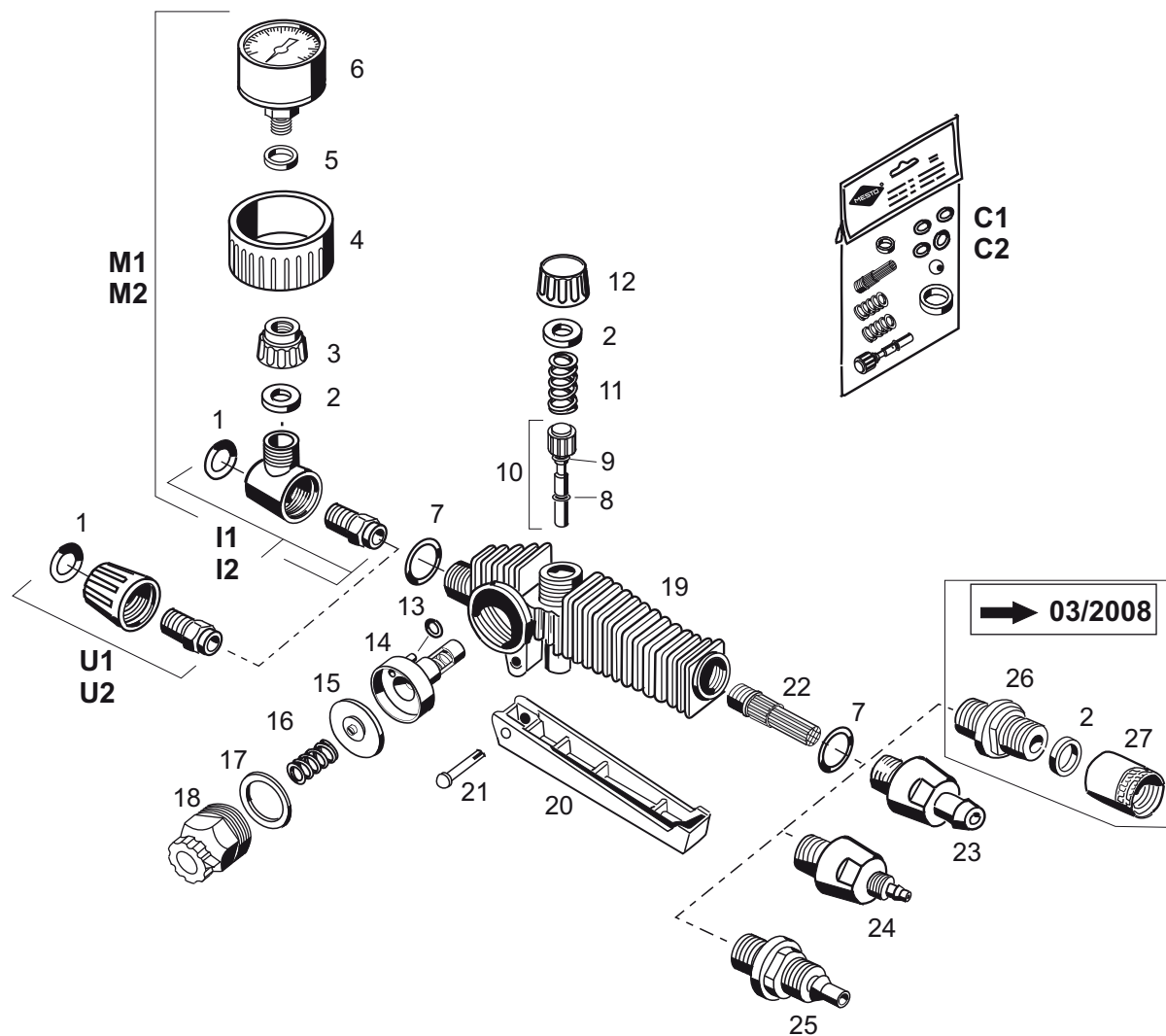


Fig.-No.	Ref.-No.	Description
C1	1005	Service kit 1349, 1384, 1388, NBR containing parts 1
C2	1005L	Service kit 1349, 1384, 1388 FPM containing parts 2
I1	1157	Adapter T, cpl., NBR
I2	1157L	Adapter T, cpl., FPM
M1	6709	Pressure gauge assy. with 'T'-piece, NBR
M2	6709L	Pressure gauge assy. with 'T'-piece FPM s
U1	1352	Adapter, NBR cpl. female 18 x 1,5 / male 11 x 1
U2	1352L	Adapter, FPM female 18 x 1,5 / male 11 x 1
1	1206 <sub>1</sub>	O-ring D10 x 3 mm NBR
1	1206L <sub>2</sub>	O-Ring D10 x 3 mm, FPM
2	1361 <sub>1</sub>	Gasket D17 x D8 x 2,3 mm
3	1156	Reducer
4	1711	Protective cup
5	1205	Gasket D14 x D9,7 x 2 mm
6	6701	Pressure gauge 6 bar
7	6240 <sub>1</sub>	O-ring D17 x 2,5 mm, NBR
7	6240L <sub>2</sub>	O-ring D17 x 2,5 mm, FPM
8	1386	O-ring D4,42 x 2,62 mm, NBR
8	1386L	O-ring D4,42 x 2,62 mm, FPM
9	1387	O-ring D3 x 1,5 mm, NBR
9	1387L	O-ring D3 x 1,5 mm, FPM
10	1354 <sub>1</sub>	Valve piston with NBR O-rings
10	1354L <sub>2</sub>	Valve piston with FPM O-rings
11	1382 <sub>1,2</sub>	Spring
12	1381	Screw cap
13	1356 <sub>1</sub>	O-ring D4 x 1,2 mm, NBR
13	1356L <sub>2</sub>	O-ring 4 x 1,2 mm, FPM
14	1357K	Valve seat, cpl.
15	1358 <sub>1</sub>	Diaphragm cpl.
15	1358L <sub>2</sub>	Diaphragm cpl., FPM
16	1359	Diaphragm spring
17	1160 <sub>1,2</sub>	Support ring D30 x D24 x 1 mm
18	1161	Plug with adjusting screw
19	1334	Valve body
20	1336	Trigger
21	1369	Swivel pin
22	1373 <sub>1,2</sub>	Filter
23	1162	Sight glass with hosetail D10 mm
24	1162S	Hosetail, spiral hose, with sight glass
25	1338	Hosetail D8 mm PP
26	1338A	Nipple M 18 x 1,5 double male
26	1338L	Nipple M 18 x 1,5 double male, FPM
27	1405	Socket M 18 x R 1/4"

0911