



**PICO 3232**  
**FLORI 3232R**  
**HERBI 3232U**

**Compression Sprayers**

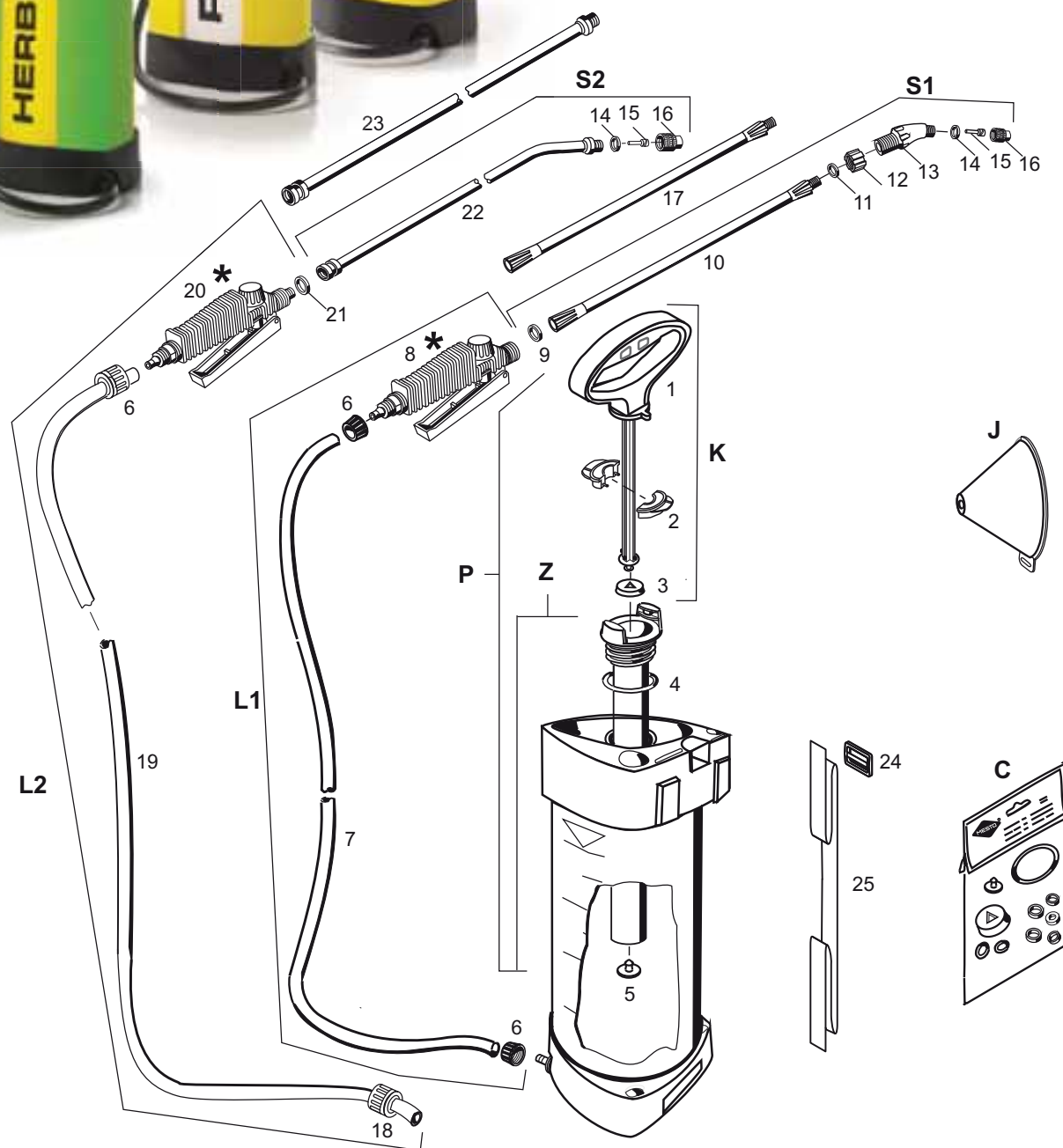


Bild-Nr.	Best.-Nr.	
C	6002	Service kit
J	3914N	Spray shield, small, without nozzle
K	6237N	Piston rod. assy.
L1	6302	Discharge equipment for FLORI
L2	6302N	Discharge equipment for PICO
P	6224MN	Air pump, plastic diameter 38 mm
S1	3658N	Spray lance bent, 48 cm, plastic, nozzle 1,1 mm brass
S2	3658	Spray lance bent, 50 cm, brass, nozzle 1,1 mm brass
Z	6252A	Pump cylinder diameter 38 mm
1	6228MN	Piston rod with handle
2	6236D	Cylinder cap two-piece
3	6208	Piston washer 38 mm
4	6225	O-ring 47 x 5.33 mm
5	6241	Valve disc with stud, NBR
6	1613	Cap nut fine (M18 x 15)
7	6303	Hose 1,3 m D8 for FLORI
8	6308A	Shut-off valve D8 for FLORI
9	6343A	O-ring 12 x 2,5 NBR
10	3650K	Spray lance 48 cm, plastic
11	1205G	O-ring 9 x 3 mm, NBR
12	1613VL	Cap nut, plastic M 16 long
13	1310	Elbow, plastic
14	1360	Seal D 15 x D11 x 2 mm
15	1301	Swirl core, fine, white
16	1302	Nozzle, 1.1 mm orifice, brass
17	3664 NL	Extension wand 45 cm plastic
18	1613N	Cap nut, coarse (M20 x 3)
19	6303C	Hose 1.3 m D8 with sealing cone
20	6308	Discharge valve D8 for PICO
21	1206	O-ring 10 x 3 mm, NBR
22	3650	Spray lance 50 cm, brass
23	3660	Extension wand brass, straight 50 cm
24	1502S	Buckle 30 mm
25	6133	Carrying strap

\* = Spare parts details on page „Shut-off valves (small, plastic, reinforced)“



# 1380, 1380L, 6308, 6308G, 6308M, 6308 ME

## Shut-off valves (small, plastic, reinforced)

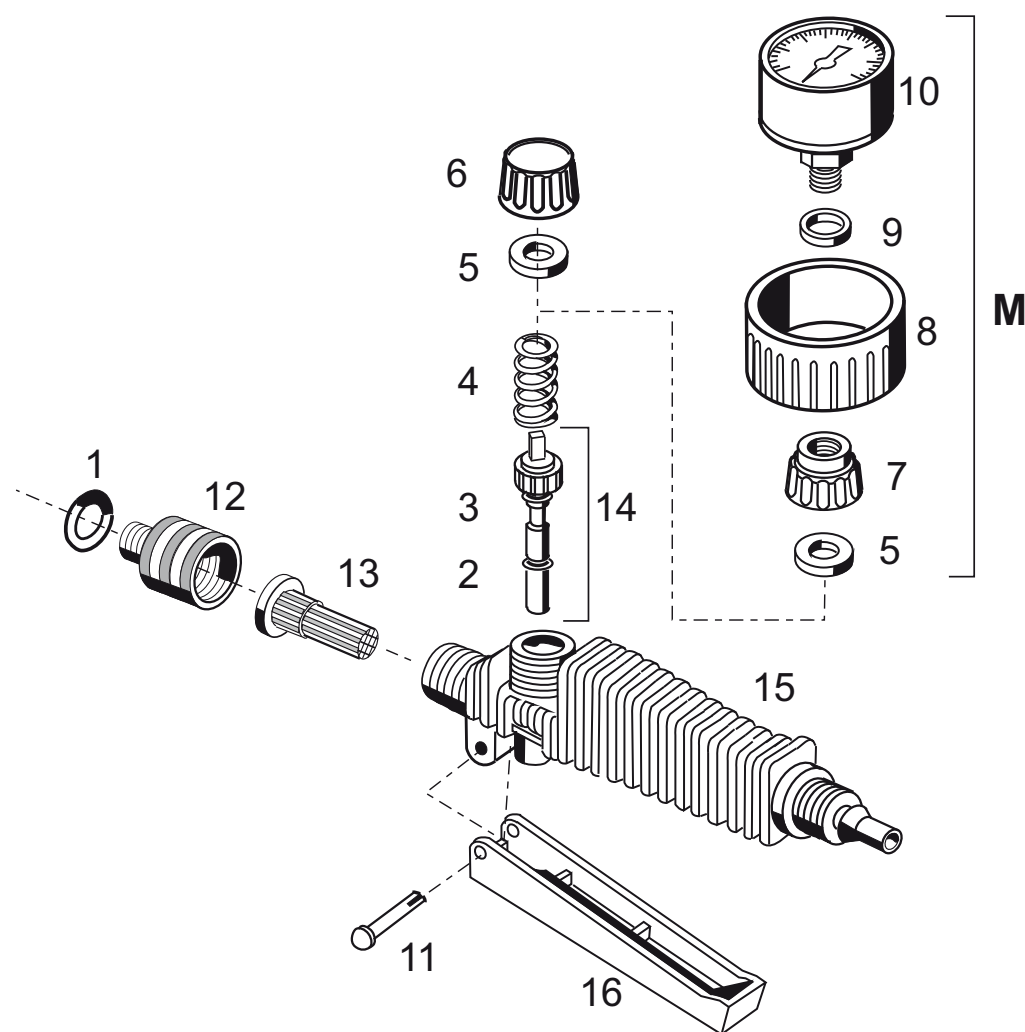
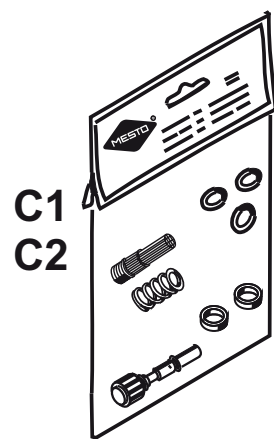


Fig.-No.	Ref.-No.	
C1	1003	Service kit 1380, 6308, NBR, containing parts 1
C2	1003L	Service kit 1380, 6308, FPM, containing parts 2
M	7702	Pressure gauge 6 bar shock protected
1	1206	O-ring D10 x 3 mm, NBR
1	1206L	O-Ring D10 x 3 mm, FPM
1	1206E	O-Ring D10 x 3 mm, EPDM
2	1386	O-ring D4, 42 x 2.62 mm, NBR
2	1386L	O-ring D4, 42 x 2.62 mm, FPM
2	1386E	O-ring D4, 42 x 2.62 mm, EPDM
3	1387	O-ring D3 x 1.5 mm, NBR
3	1387L	O-Ring D3 x 1.5 mm, FPM
3	1387E	O-Ring D3 x 1.5 mm, EPDM
4	1382 <sub>1,2</sub>	Spring
4	1382T <sub>1,2</sub>	Spring coated
5	1361	Gasket D17 x D8 x 2.3 mm
6	1381	Screw cap
7	1156	Reducer
8	1711	Protective cup
9	1205	Gasket D14 x D9.7 x 2 mm
10	6701	Pressure gauge 6 bar
11	1369	Swivel pin
12	1397	Adapter female 18 x 1.5 /male 11x1
13	1395 <sub>1,2</sub>	Filter
14	1383 <sub>1</sub>	Valve piston with O-rings, NBR
14	1383L <sub>2</sub>	Valve piston with O-rings, FPM
14	1383E	Valve piston with O-rings, EPDM
15	1367	Valve body
16	1368	Trigger

0911